

# 25W Low PIM Load (698-3800MHz, -150dBc, IP65)

## General Description

25W Low PIM Load (698-3800MHz, -150dBc, IP65)

## Features & Benefits

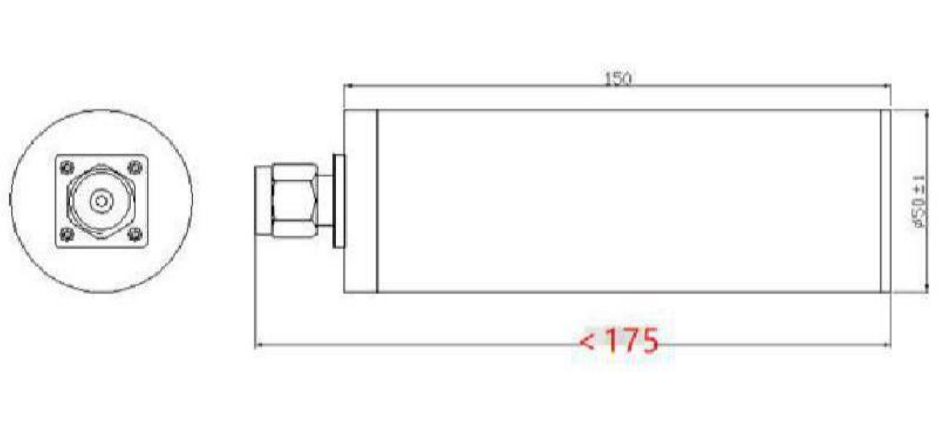
- Guaranteed PIM Compliance
- Wide Frequency Band Covering 698-3800MHz
- Low Insertion Loss
- Low VSWR
- Indoor/Outdoor Using IP65
- Available with Type N, 7/16DIN or 4.3/10 Connectors



## Electrical & Mechanical Specifications

Model No.	TSLD-638-25W-NM-150 TSLD-638-25W-DM-150 TSLD-638-25W-4M-150
Freq(MHz)	698-3800MHz
Return Loss(dB)	≥20
Impedance(Ω)	50
PIM Rating(dBc)	-160dBc@2x43dBm
Power Rating(W)	25W (average Per Port)
Impedance	50 ohm
Connector	N/DIN/4.3-10 -male
Color	Black
Operating Temperature(°C)	-35~+70
Weight(kg)	0.55
Package Size(mm)	65*65*180

## Mechanical Drawing



Dimensions in mm